

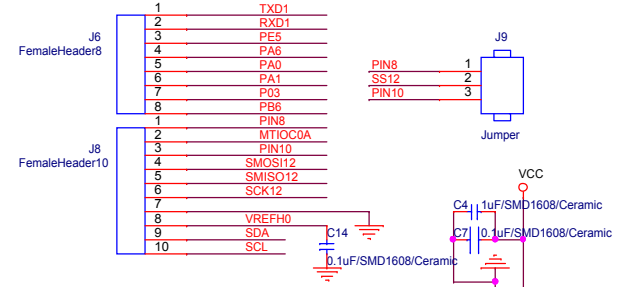
J25 MCU Operating Mode

1	Operating Mode
OFF	Single Chip/DEBUG Mode
ON	USB Boot Mode

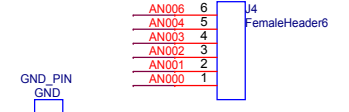
USB Boot Mode Power Configuration

2	Power Configuration for USB Boot
OFF	Bus Powered
ON	Self Powered

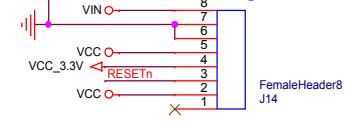
## DIGITAL I/O



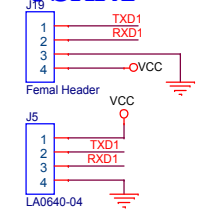
## ANALOG INPUT



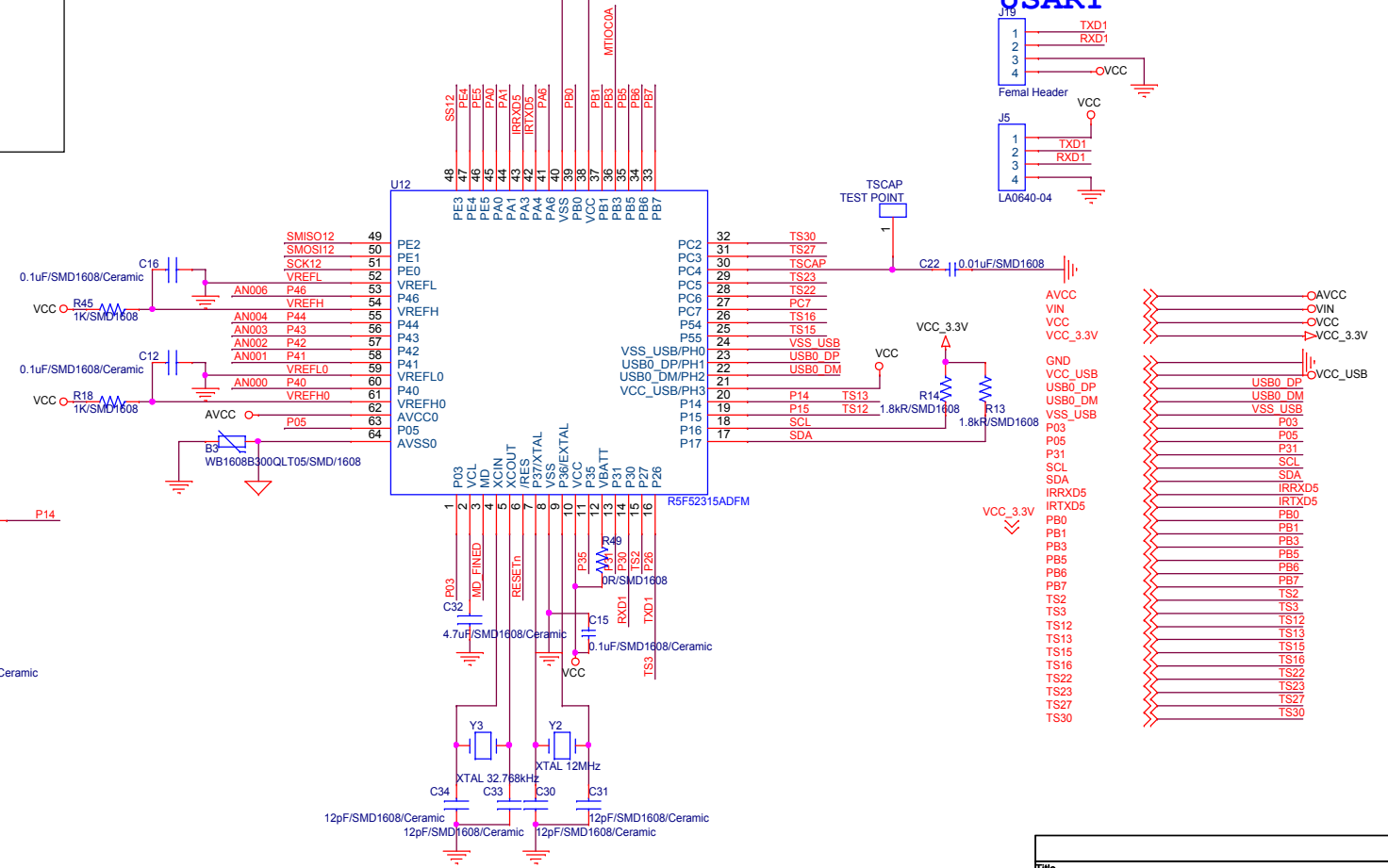
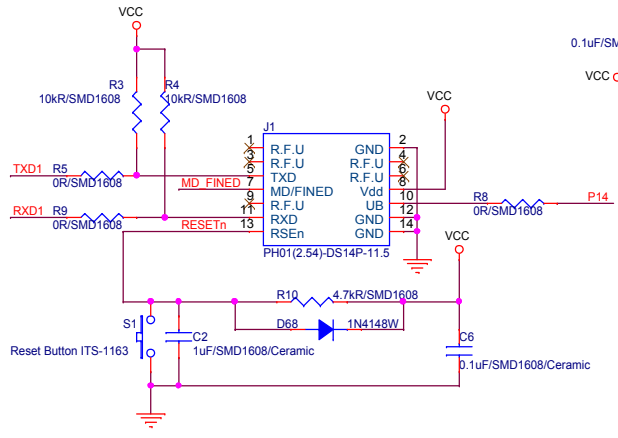
## POWER PINS



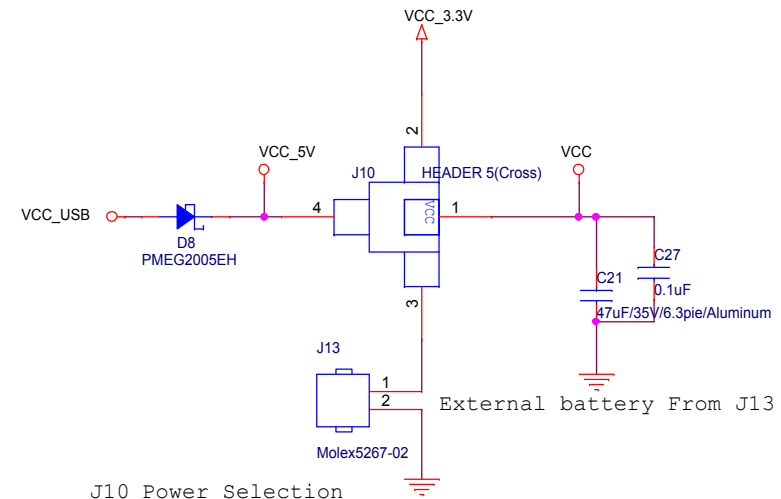
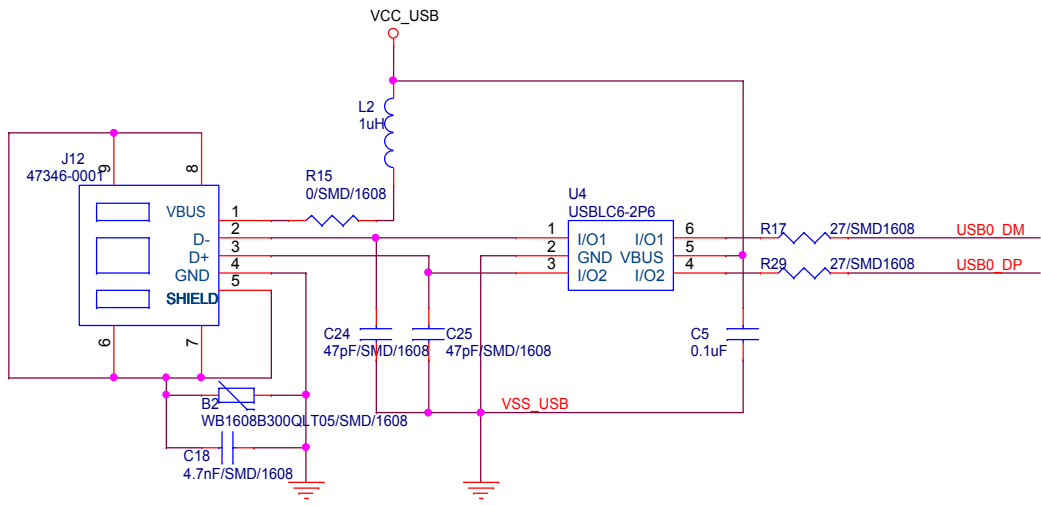
## USART



## RESET & E1 JTAG

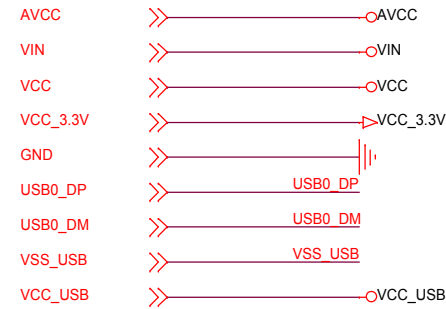
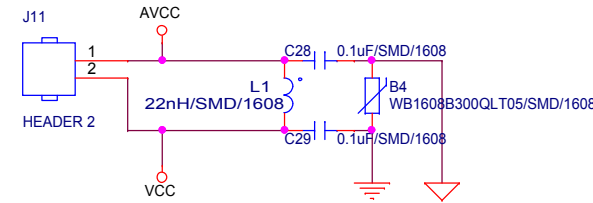
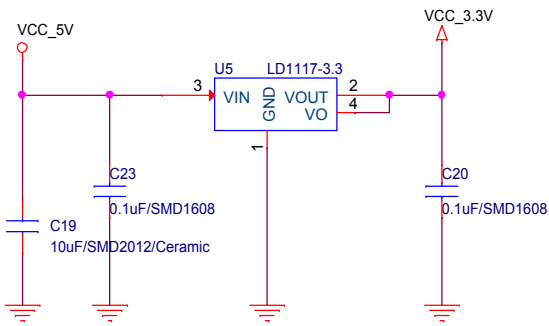
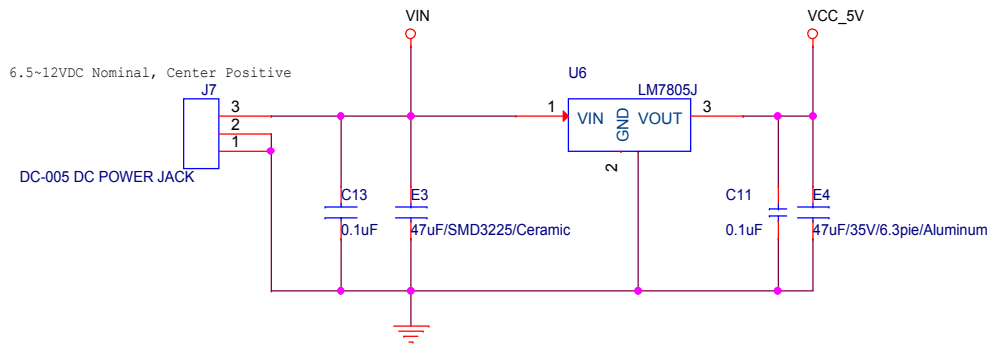


Title		<RX231 CapTouch Demo MCU>
Size	Document Number	Rev
	Custom Sial-20160829001	<Rev
Date:	Monday, March 27, 2017	Sheet 1 of 1



J10 Power Selection

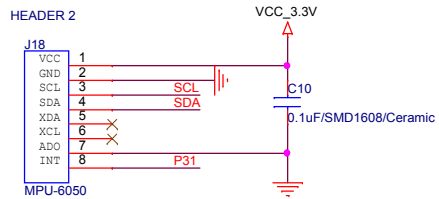
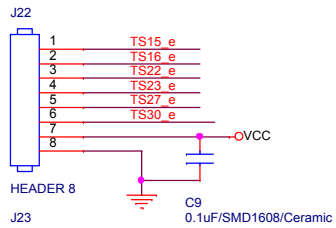
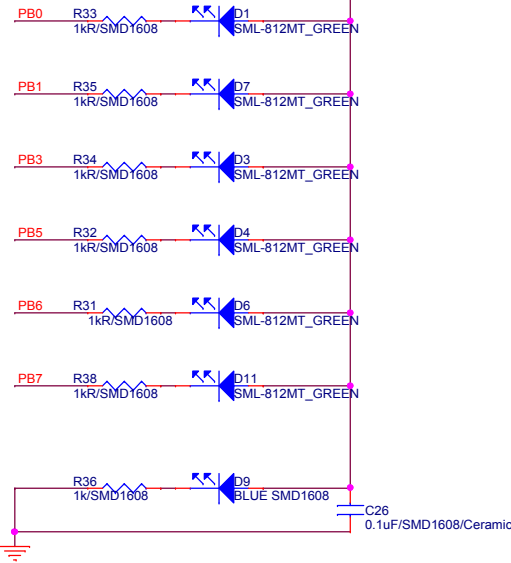
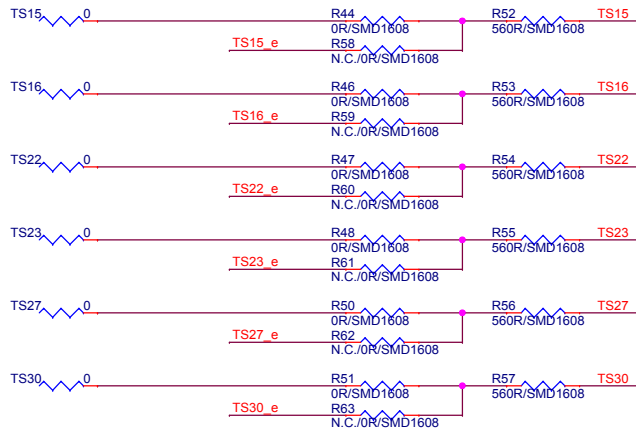
1&2	DC 3.3V
1&3	Ext. Battery from J13
1&4	DC 5V



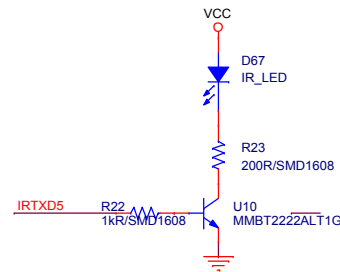
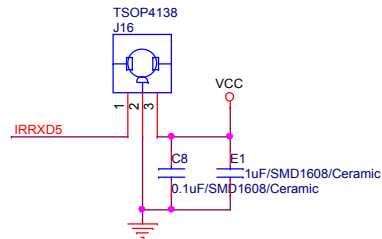
Title		<RX231 CapTouch Demo Power>	
Size	Document Number	Rev	<RevCode>
Custom	<Sial-20160829002>		
Date:	Monday, March 27, 2017	Sheet	1 of 1

# TOUCH SENSOR CONNECTOR

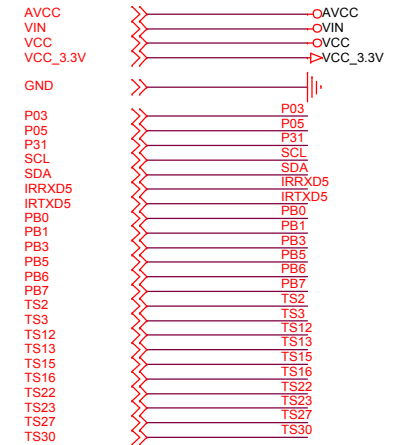
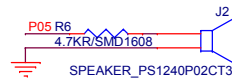
# LED



# Infra Red RX / TX



# SPEAKER



Title		
<RX231 CapTouch Demo GPIO>		
Size	Document Number	Rev
B	<<Sial-20160829003>>	<RevCode>
Date:	Monday, March 27, 2017	Sheet 1 of 1